

## SPARE PARTS LIST

### ROTAPOKA INTERNAL PENDULUM FLEXIBLE DRIVE VIBRATOR

**BTHPU/H Power unit**  
**BTHPU/YD Power unit**  
**BTEPU230 Electric Power unit**  
**BTEPU110 Electric Power unit**

**BTRP/25 Rotapoka**  
**BTRP/35 Rotapoka**  
**BTRP/50 Rotapoka**  
**BTRP/60 Rotapoka**



# Beton Trowel nv

---

Use this guide along with the parts lists attached to locate and identify components of your shaft. When ordering replacement parts, be sure to provide the model number and serial number from the shaft.

## Copyright

© Copyright 2011 by Beton Trowel.

## Contact

BETON TROWEL

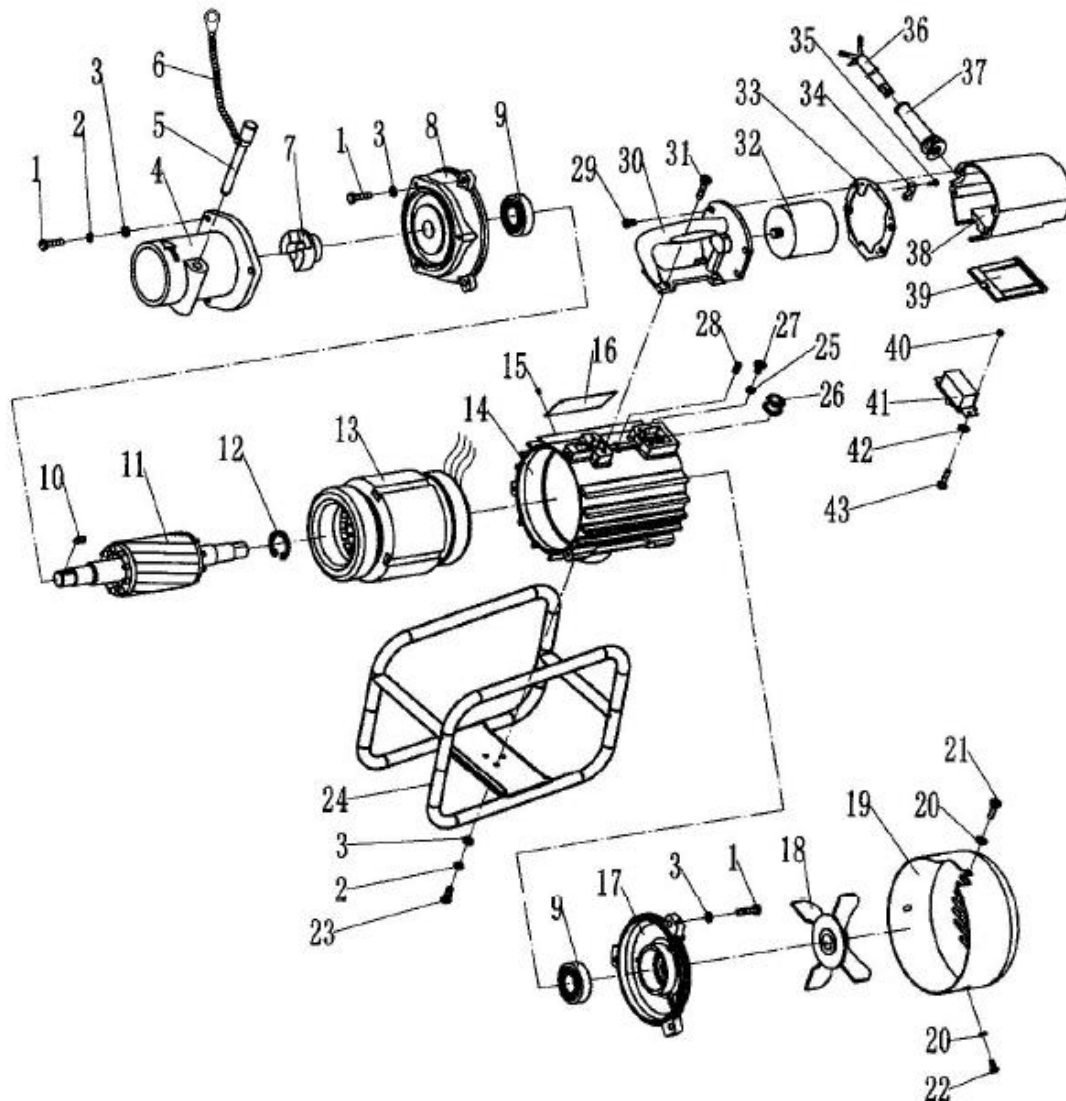
Nijverheidsstraat 11

1840 Londerzeel

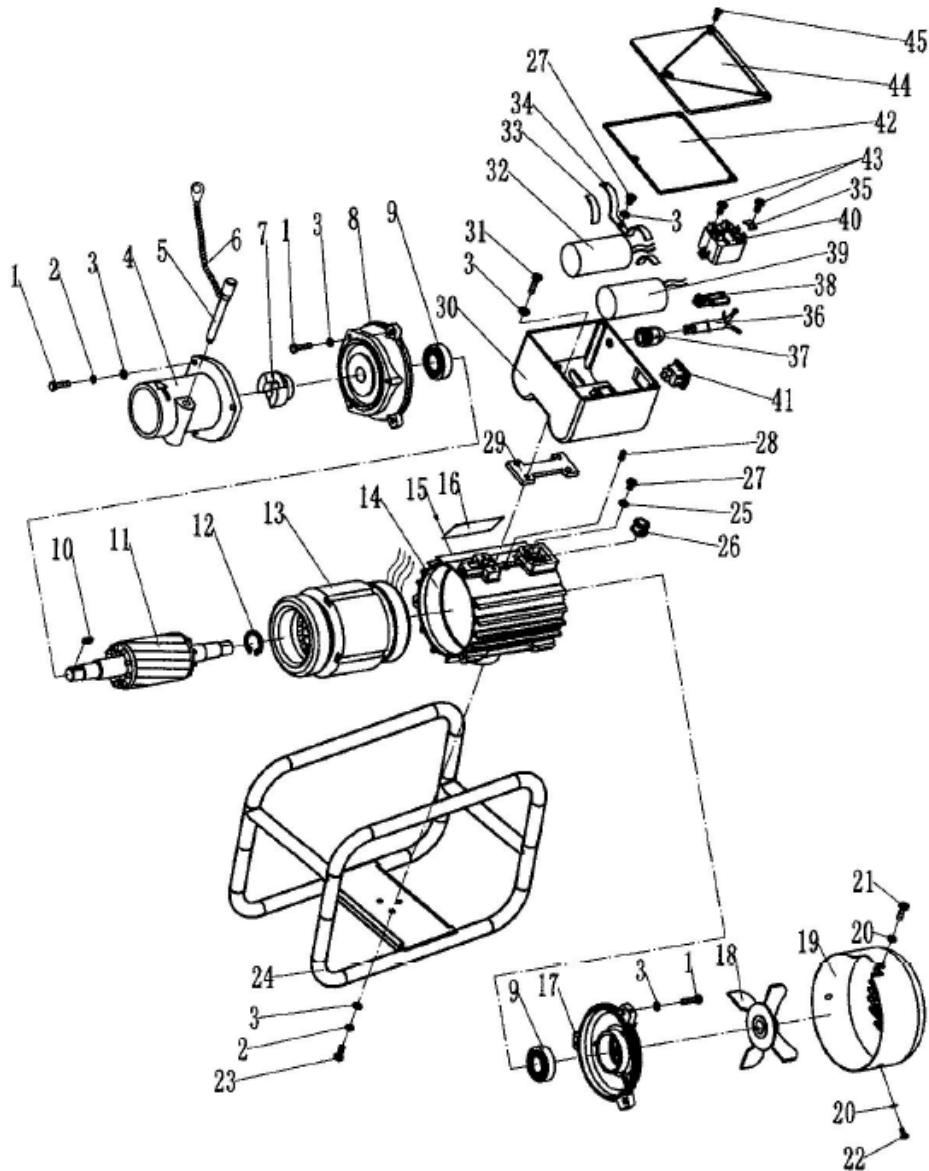
BELGIUM

[www.betontrowel.com](http://www.betontrowel.com)

**PARTS DIAGRAM ROTAPOKA ELECTRIC POWER UNIT  
BTEPU230**



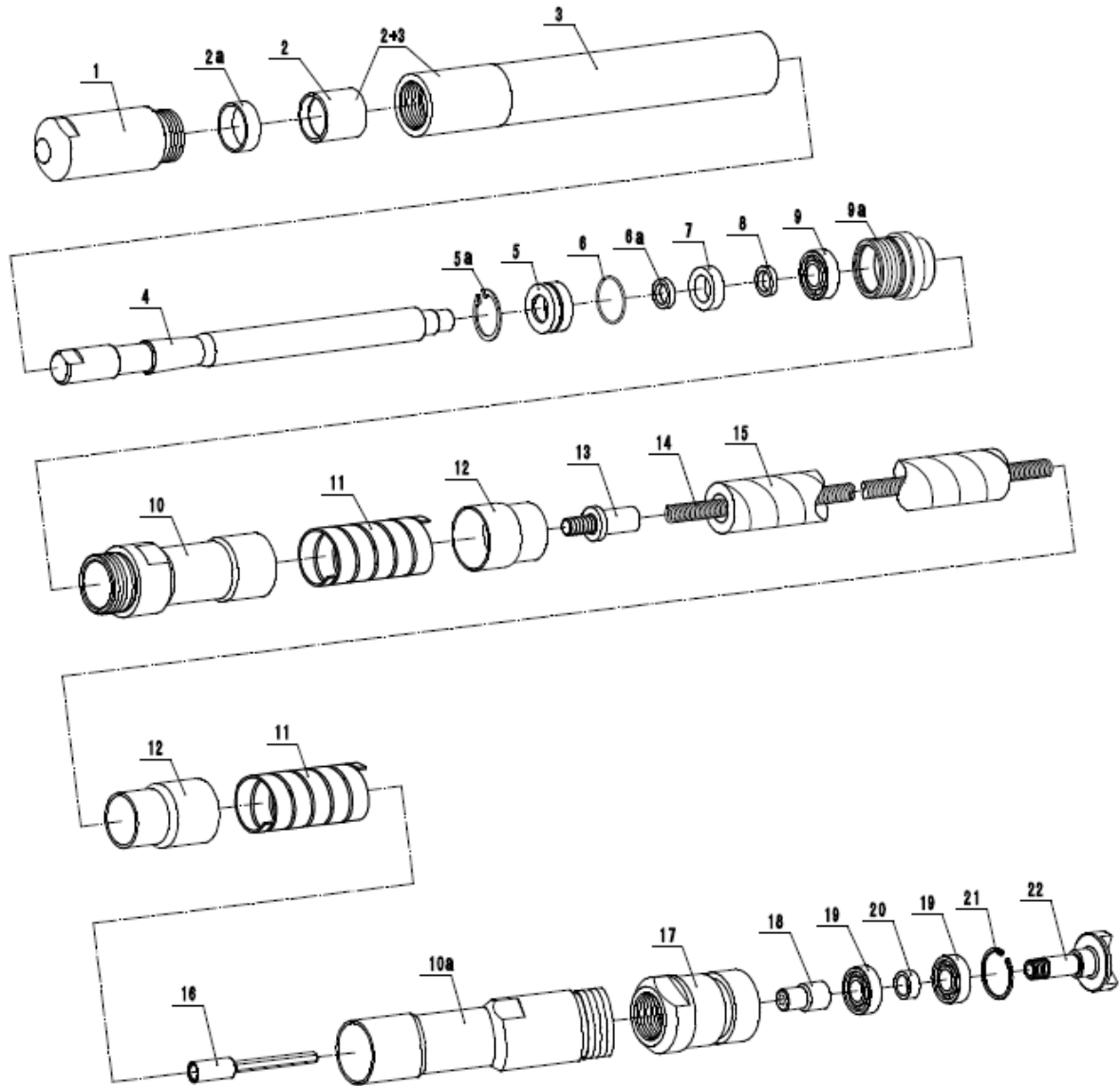
**PARTS DIAGRAM ROTAPOKA ELECTRIC POWER UNIT  
BTEPU110**



PARTS LIST FOR ROTAPOKA ELECTRIC POWER UNIT				
NO.	DESCRIPTION	QTY	BTEPU110	BTEPU230
			Part Nr	Part Nr
1	BOLT	9	590303	590303
2	ELASTIC WASHER	7	650603	650603
3	PLAIN WASHER	9	650103	650103
4	CLAW COUPLER	1	112010	112010
5	PLUG PIN	1	102011	102011
6	CHAIN COMP.	1	102015	102015
7	MOTOR CLUTCH	1	102012	102012
8	FRONT COVER	1	103011	103011
9	BEARING	2	550501	550501
10	FLAT KEY	1	672001	672001
11	ROTATOR	1	112080	112080
12	CIRCLIP FOR SHAFT	1	670211	670211
13	STATOR	1	112071	112070
14	HOUSING	1	100080	100080
15	REVIT	1	632002	632002
16	NAME PLATE	1	711173	711127
17	REAR COVER	1	100061	100061
18	PLASTIC FAN	1	752002	752002
19	FAN CASING	1	100100	100100
20	PLAIN WASHER	3	650102	650102
21	SLOTTED SCREW	1	630713	630713
22	SLOTTED SCREW	2	630702	630702
23	BOLT	3	590315	590315
24	FRAME	1	112060	112060
25	WASHER	1	650905	650905
26	LEAD PROTECTOR	1	750101	750101
27	SLOTTED SCREW	2/1	630704	630704
28	SLOTTED SET SCREW	1	630501	630501
29	SLOTTED SCREW	4	---	630703
	BOX SUPPORTER	1	100121	---
30	HAND GRIP	1	---	112020
	SWITCH BOX	1	111080	---

NO.	DESCRIPTION	QTY	BTEPU110	BTEPU230
			Part Nr	Part Nr
31	SLOTTED SCREW	4	630709	630708
32	CAPACITOR	1	570340	570331
	(150µ F 300V/30µ 450V)			
33	RUBBER SHEET	1	---	100052
	SUPPORT RUBBER	2	111030	---
34	CABLE CLAMP	1		100092
	CAPACITOR SPLINT	1	111040	---
35	SELF-DRIVE SCREW	2	---	630806
	PLATE	1	111050	---
36	CABLE	1	112090	112090
37	CABLE PROTECTOR	1	---	750118
	CABLE GLAND	1	570230	---
38	SWITCH COVER	1	---	112030
	TERNINAL	13	712101	---
39	BOTTOM COVER	1	---	112050
	CAPACITOR (25µ F 450V)	1	570332	---
40	NUT	2	---	610112
	RELAY	1	570359	---
41	SWITCH	1	756020	570302
42	FLAI WASHER	2	---	650101
	ISOLATED RUBBER	1	111060	---
43	SCREW	2	630712	630721
44	COVER PLATE	1	111070	---
45	SCREW	3	633508	---

**EXPLOSION DRAWING FOR ROTAPOKA  
C/W HOSE PROTECTOR AT BOTH ENDS**



PARTS LIST FOR ROTAPOKA C/W HOSE PROTECTOR AT BOTH ENDS						
NO.	DESCRIPTION	QTY	Ø 25	Ø 35	Ø 50	Ø 60
			Part Nr	Part Nr	Part Nr	Part Nr
1	NOSE	1	001310	013310	044310	380101
2a	SPACER	1	----	013320	----	----
2	STATOR	1	----	713001	713004	----
3	BODY	1	001330	013340	044320	380103
2+3	BODY + STATOR	1	----	013300D	038300D	----
4	PENDULUM ROTOR	1	001322	013332	038322	380122
5	OIL-SEAL HOUSING	1	----	013350	038340	----
5a	CIRCLIP	1	----	----	----	----
6	O RING	1	----	510101	510202	----
6a	WASHER	1	001340	----	----	----
7	OIL SEAL	1	530101	530101	530105	530405
8	WASHER	1	----	----	038350	----
9	BEARING	1	550201	550202	550103	550208
9a	BEARING HOUSING	1	001350	----	----	380104
10	UNION	1	001111	013111	038111	052111
10a	UNION	1	001191	013191	038111	038111
11	SPIRAL PROTECTOR	2	001170	013170	038170	038170
12	STOP RING	2	001180	013180	038180	038180
13	END TANG	1	001210	013210	038210	052210
14	INNER CORE 6M	1	810103	810113	810124	810124
	INNER CORE 12M	1	810102	810112	810123	810123
15	OUTER CORE 6M	1	830103	830113	830124	830124
	OUTER CORE 12M	1	830102	830112	830123	830123
16	HEX. TANG	1	009210	022210	049210	049210
17	COUPLING HEAD	1	046320	046320	046320	046320
18	HEX. TANG CONNECTOR	1	046310	046310	046310	046310
19	BEARING	2	550102	550102	550102	550102



NO.	DESCRIPTION	QTY	Ø 25	Ø 35	Ø 50	Ø 60
			Part Nr	Part Nr	Part Nr	Part Nr
20	SPACER	1	046330	046330	046330	046330
21	CIRCLIP	1	670105	670105	670105	670105
22	DRIVE DOG	1	046350	046350	046350	046350
23	POKER SERVICE KIT*	1	BTRP25SK	BTRP35SK	BTRP50SK	BTRP60SK

\*POKER SERVICE KIT COMPRISES OF:

BEARING

OIL SEAL

O-RING

## Declaration of Conformity / Certificat de conformite / Gelijkvormigheidscertificaat / Declaracion de Conformidad / Declaracao de Concormidade / Dichiarazione Di Conformita

Model : BTHPU - BTEPU - BTRP

### We Beton Trowel NV

Declare under our sole responsibility that the product to which this declaration relates is in conformity with the following standards or other normative documents.

Declarons sous notre responsabilite que le produit cette declaration est conforme aux norms suivantes ou d'autres documents habituels.  
Verklaren onder onze verantwoordelijkheid dat het product naar welke de verklaring verwijst conform de volgende standards of anders gebruikelijke documenten is.

Declaramos bajo nuestra unica responsabilidad que el producto en lo que esta declaracion concierne, es conforme con la siguiente normative u otros documentos.

Declara sob sua responsabilidade que o produto a quem esta declaracao interessar, esta em conformidade com os seguintes documentos legais ou normas directivas.

Dichiariamo sotto la ns. Unica responsibilita che il prodotto al quale questa dichiarazione si riferisce, e fabbricato in conformita ai seguenti standard e documenti di normative.

**EN 349:2008+A1:2008   EN 12100:2010   EN12649:2008+A1:2011   EN ISO 5349-2:2001 +A1:2015**

Following the provisions of Directives:

Suivant les directives determinees:

Volgens de vastgestelde richtlijnen:

Siguiendo las directivas:

No seguimento das clausulas da Directivas

Seguendo quanto indicato dalla Direttivas:

**2006/42/EC Machinery Directive**

**2000/14/EC Noise Directive**

**2001/95/EC General Product Safety Directive**

**2002/95/EC Reduction of Hazardous Waste Directive**

**LVD2014/35/EU Low Voltage Directive**

**2004/30/EU Electromagnetic Compatibility**



**Responsible Technical File : Chris Livingston for**

**Beton Trowel NV**

**Nijverheidsstraat 11**

**B-1840 Londerzeel**

**Belgium**

Tel 0032 52315350

Fax0032 52303739

25<sup>th</sup> August 2016