

WORLD BEATING PRODUCT LINE WORLD CLASS QUALITY



BETON TROWEL N.V
tel +32 (0)52 315 350
tel +32 (0)52 315 351
Fax +32 (0)52 303 739
info@betontrowel.com
Nijverheidsstraat 11

PNEUMATIC CONCRETE VIBRATORS

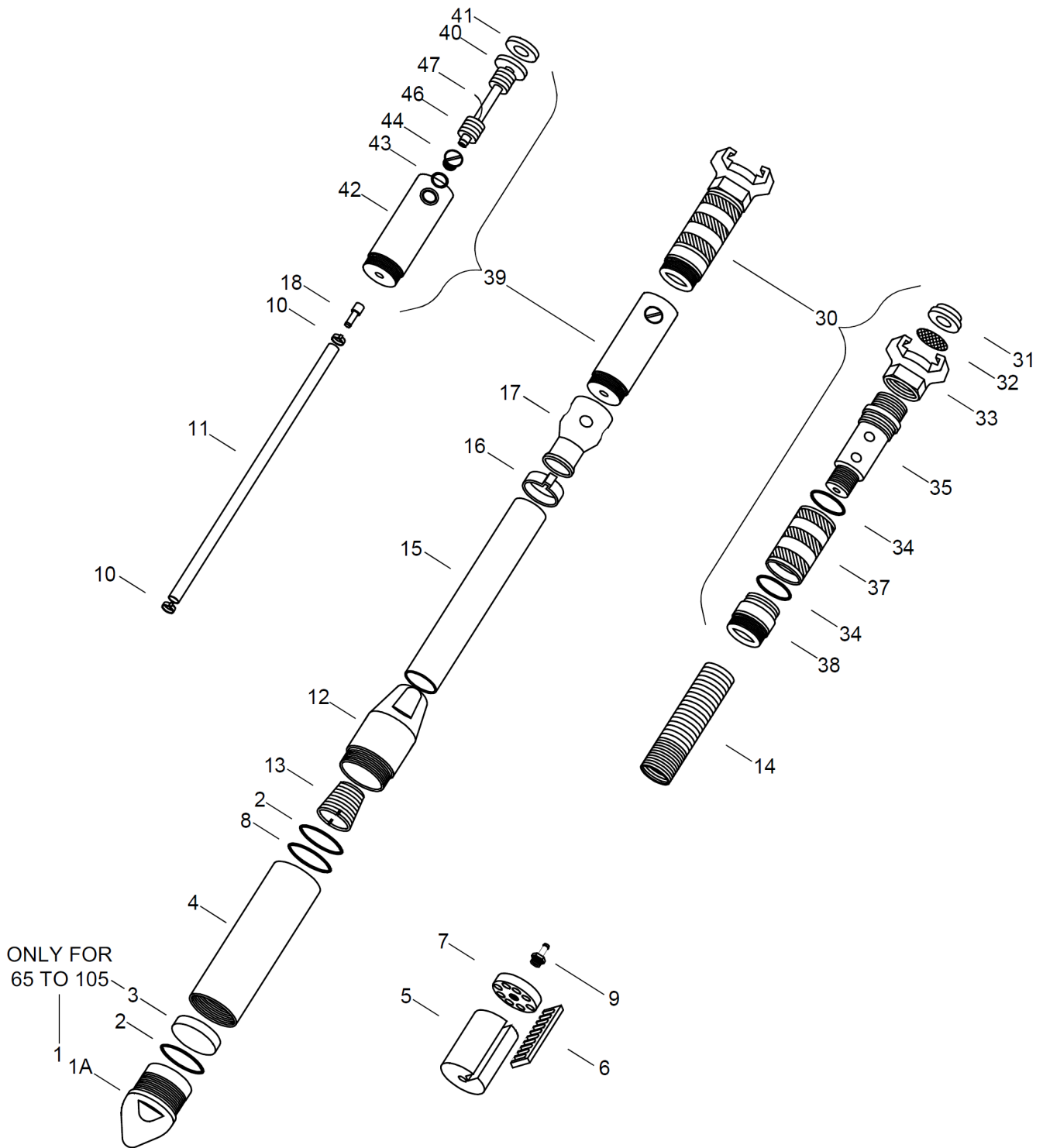


READ THIS MANUAL BEFORE OPERATING VIBRATORS



PNEUMATIC CONCRETE VIBRATORS

PNEUMATIC POKER PARTS BREAKDOWN



READ THIS MANUAL BEFORE OPERATING VIBRATORS

PNEUMATIC CONCRETE VIBRATORS

PNEUMATIC POKER PARTS BREAKDOWN

Item	Component	Qty	BTPV28	BTPV35	BTPV45	BTPV55	BTPV65	BTPV75	
1	Nosepiece	1	V28001	V35001	V45001	V55001	V65001	V75001	
2	O Ring	2	V28002	V35002	V45002	V55002	V65002	V75002	
3	Front Closure Plate	1	Integral part of Nose Cap				V65003	V75003	
4	Housing	1	V28004	V35004	V45004	V55004	V65004	V75004	
5	Rotor	1	V28005	V35005	V45005	V55005	V65005	V75005	
6	Vane	1	V28006	V2806	V45006	V45006	V65006	V75006	
7	Rear Closure Plate	1	V28007	V35007	V45007	V55007	V65007	V75007	
8	Locking Ring	1	V28008	V35008	V45008	V55008	V65008	V75008	
9	Inlet Hose Connector	1	Not required		V45009	V55009	V55009	V75009	
10	Inlet Hose Clip	2	V28010	V35010	V35010	V55010	V55010	V75010	
11	Inlet Hose (Per Metre)		046073	V35011	V35011	V45011	V45011	V75011	
12	Rear Body	1	V28012	V35012	V45012	V55012	V65012	V75012	
13	Hose Sleeve	1	Not required	V35013	V45013	V55013	V55013	V75013	
14	Hose Protection Sleeve	1	Not required			V55014	V55014	V75014	
15	Exhaust Hose (Per Mtr)		V28015	V35015	V54015	V45015	V45015	V75015	
16	Exhaust Hose Clip	1	V28016	V35016	V45016	V55016	V65016	V75016	
17	Exhaust Body	1	V28017	V35017	V45017	V45017	V45017	V75017	
18	Inlet Hose Connector	1	V28018	V35018	V45018	V45018	V45018	V75018	
30	Steel Handle Complete	1	V28030	V28030	V28030	V28030	V28030	V28030	
31	Rubber Gland	1	V28031	V28031	V28031	V28031	V28031	V28031	
32	Gauze Filter	1	V28032	V28032	V28032	V28032	V28032	V28032	
33	Q/R Coupling	1	V28033	V28033	V28033	V28033	V28033	V28033	
34	O Ring	2	V28034	V28034	V28034	V28034	V28034	V28034	
35	Handle Shaft	1	V28035	V28035	V28035	V28035	V28035	V28035	
37	Twist Grip	1	V28037	V28037	V28037	V28037	V28037	V28037	
38	Adaptor	1	V28038	V28038	V28038	V28038	V28038	V28038	
39	Lubricator	1	V28039	V28039	V28039	V28039	V28039	V28039	
40	Lubricator Tube	1	V28040	V28040	V28040	V28040	V28040	V28040	
41	Rubber Ring	1	V28041	V28041	V28041	V28041	V28041	V28041	
42	Lubricator Body	1	V28042	V28042	V28042	V28042	V28042	V28042	
43	O Ring	1	V28043	V28043	V28043	V28043	V28043	V28043	
44	Oil Filter Screw	1	V28044	V28044	V28044	V28044	V28044	V28044	
45	O Ring	1	V28045	V28045	V28045	V28045	V28045	V28045	
46	Felt	9	V28046	V28046	V28046	V28046	V28046	V28046	
47	Bleed Wire	1	V28047	V28047	V28047	V28047	V28047	V28047	

Inlet Hose and Exhaust hose state length required 2mtr 4mtr or 6 mtr

READ THIS MANUAL BEFORE OPERATING VIBRATORS

PNEUMATIC CONCRETE VIBRATORS

READ THIS MANUAL BEFORE OPERATING VIBRATORS.

- 1 Always ensure the whole Vibrator Head is fully immersed in the Concrete.
Vibrators used in slab work are more effective when used horizontally.
When vibrating concrete **avoid** leaving poker vibrators in the same place for excessive periods.
This will avoid the Vibrator overheating and failing.
- 2 The vibrator must be free to vibrate and not become trapped between shuttering and rebar reinforcements.
This will avoid damage to the hoses and avoid the Vibrator head being pulled off the drive.
- 3 Avoid touching the shuttering with Vibrator Head.
- 4a **Do** keep the hoses as straight as possible and ensure that it does not twist or knot.
This will avoid damage to the hoses.
- 4b Do not allow the Vibrator to bottom on the Formwork.
This will avoid the nose cap unscrewing.
- 4c **Never** leave the vibrator hung over scaffolding or such resting places
- 5 We recommend holding the Vibrator a minimum of one metre from the Vibrator head .
Excessive vibration, repetitive motions or uncomfortable positions are harmful to your hands and arms. Stop using the vibrator if discomfort, tingling feeling or pain occurs.
Seek medical advice before resuming use. Operational exposure time should be monitored.
- 5a **Always** wear eye protection when operating this vibrator.
- 5b **Always** wear ear protection when operating this vibrator.
- 5c **Always** wear safety boots when on site.
- 5d **Always** wear safety hard hat when on site.
- 6 The vibrator head must **not** be held under any circumstances, when holding the vibrator always hold by the hose as far from vibrator head as possible.
We recommend a minimum of one metre from the head.
- 7 Always operate, inspect and maintain this vibrator in accordance with all regulations (local, state, federal and country) which may apply to hand operated tools.
- 7a The vibrator should never be left running out of concrete, as it will overheat and the internal parts will be damaged.
- 7b Always check the vibrator thoroughly before use for condition and safety.
If any parts are damaged or missing do not use until it is repaired or replaced.
- 7c To start vibration it may be necessary to tap the vibrator nose piece on a firm surface.
- 8a Vibrators are delivered without lubrication. When starting vibrator add oil.
- 8b Before connecting vibrator, blow air line clean of any water or dirt it may contain.
- 8c Fill lubricator after every four hours use 20/30 SAE non detergent oil.
- 9 After use lubricate vibrator, blow oil through,
and suspend vibrator with to drain any remaining moisture.
- 9a When the vibrator is not used for long periods of time , store it in a clean, dry and protected environment . It must be hung up with the head upwards and the control handle open to allow moisture etc., to escape from the vibrator.
- 10 Always ensure the gauze is clean and undamaged,
This will help eliminate dirt entering the air lines.
- 11 Ensure that the compressor does not exceed 6 bar or 87 p.s.i.,
Never use a high pressure compressor.
- 12 Do not immerse in concrete or block the exhaust outlet.
- 13a Read Compressor Manual, ensure you are familiar with the controls
- 13b The air supply must be switched off before any work is carried out on the vibrator and to prevent accidental starting of vibrator it must be disconnected from the air supply.

PARTS AND SERVICE MANUALS AVAILABLE ON REQUEST
DO NOT ATTEMPT TO SERVICE OR REPAIR THE VIBRATOR WITH OUT A MANUAL